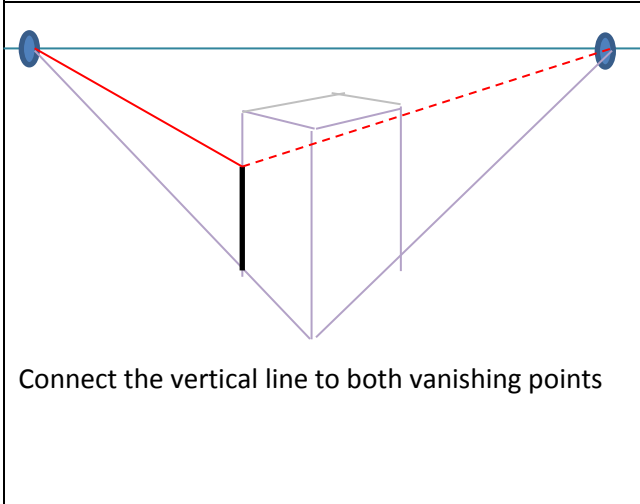
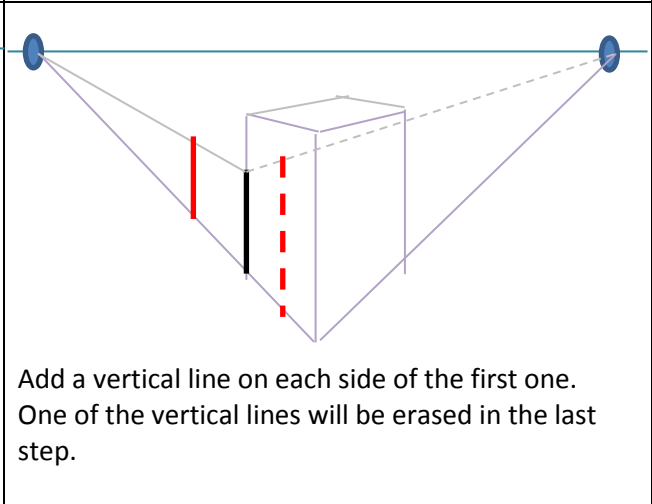


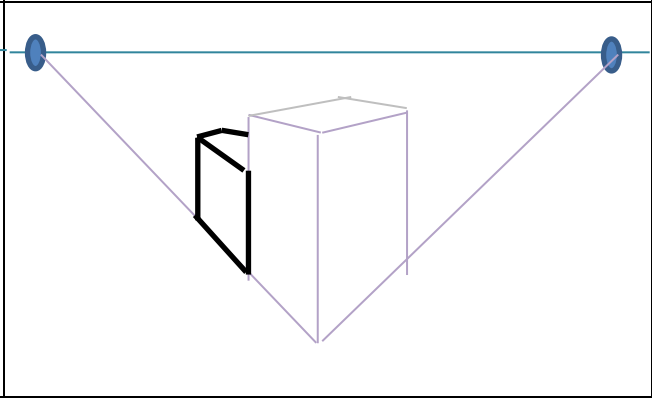
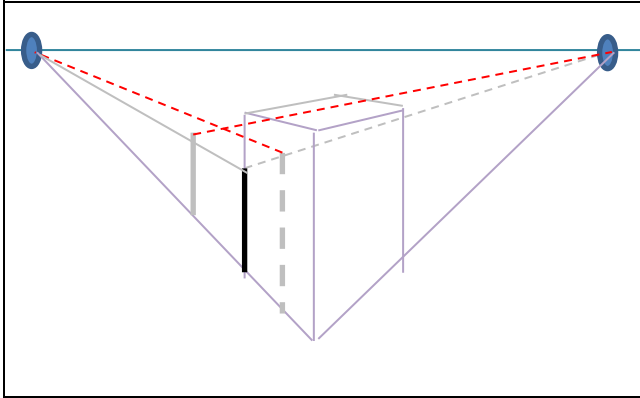
Start with a vertical line



Connect the vertical line to both vanishing points

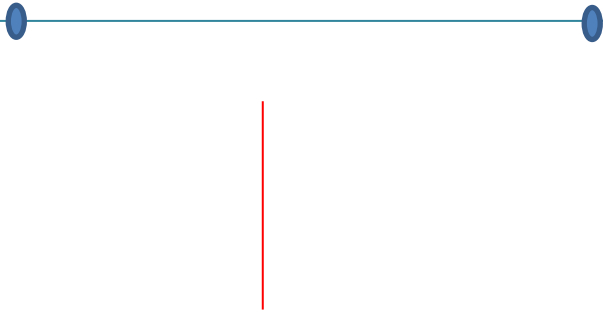


Add a vertical line on each side of the first one. One of the vertical lines will be erased in the last step.



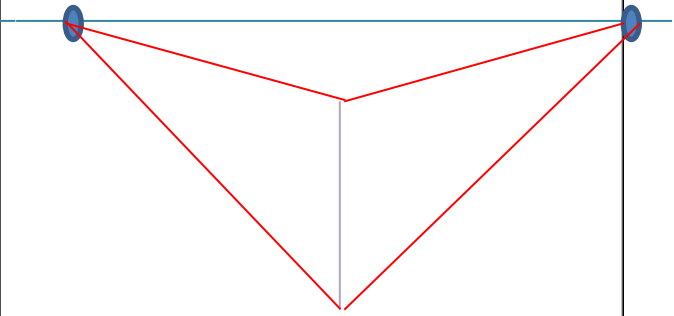
**Instructions for Buildings  
below the horizon line**

Step 1



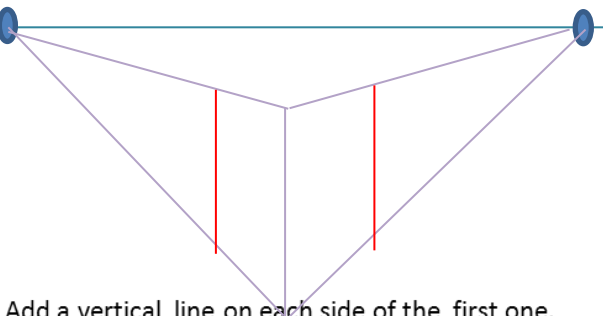
Start with a vertical line.

Step 2



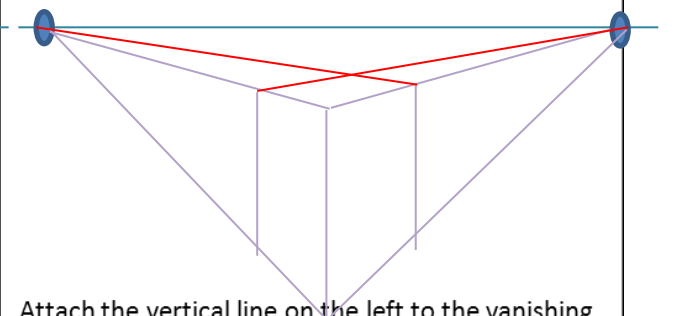
Connect it to the vanishing points.

Step 3



Add a vertical line on each side of the first one.  
There will then be a total of 3 vertical lines

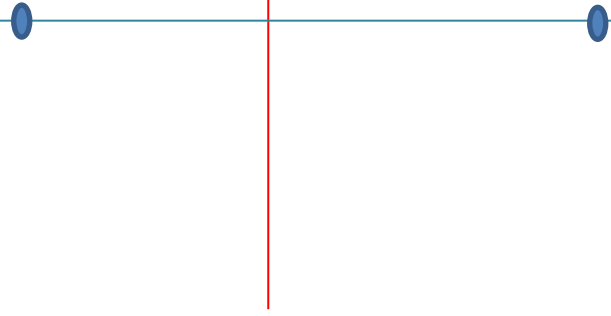
Step 4



Attach the vertical line on the left to the vanishing point on the right. Attach the vertical line on the right to the vanishing point on the left.

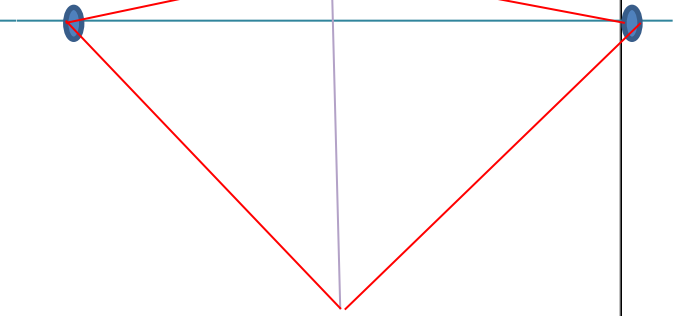
**Instructions for Buildings  
above the horizon line**

Step 1



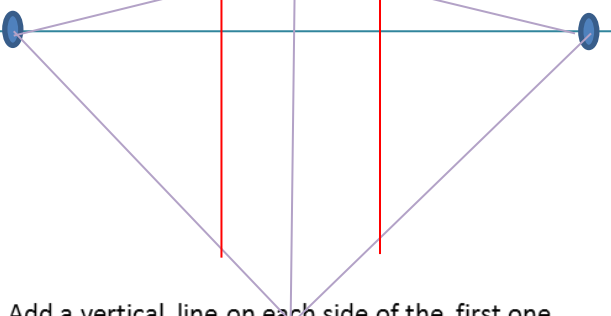
Start with a vertical line.

Step 2



Connect it to the vanishing points.

Step 3



Add a vertical line on each side of the first one.  
There will then be a total of 3 vertical lines